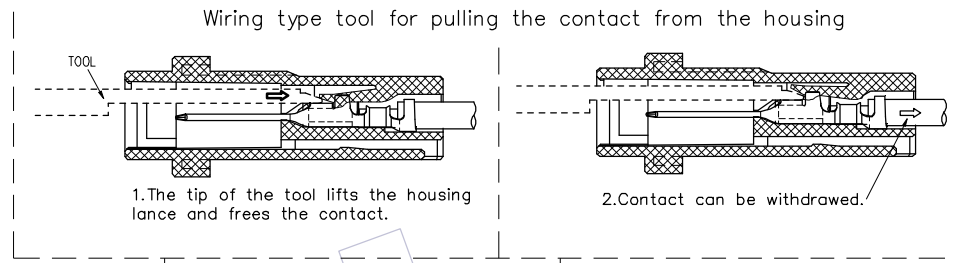
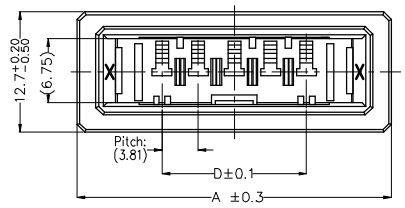




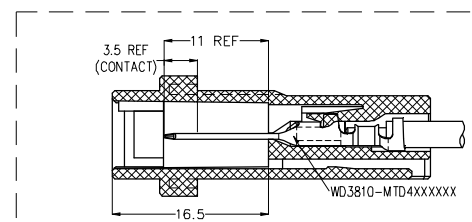
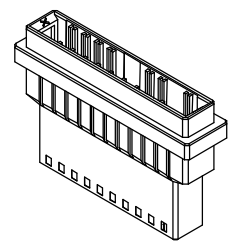
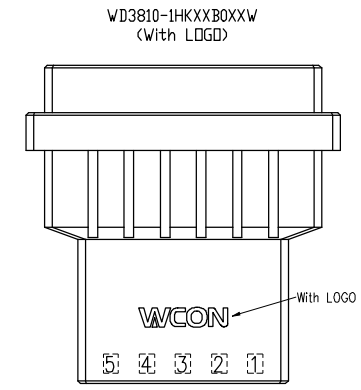
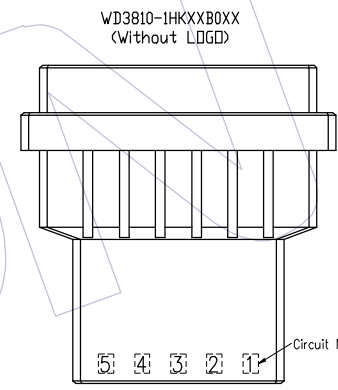
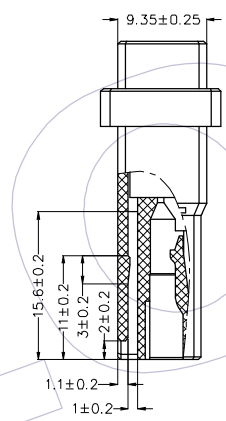
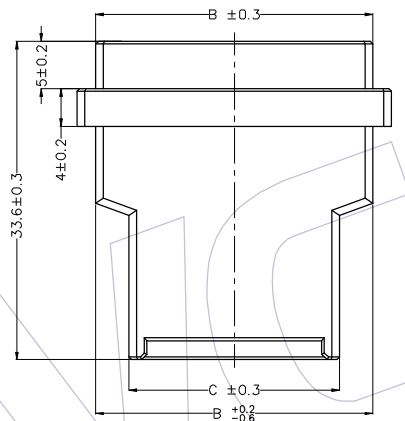
- NOTES:
- 1.Voltaget Rating: 250V AC ;
 - 2.Withstand Voltage: 1500V AC;
 - 3.Insulation Resistance: 1000MΩ Min;
 - 4.Operating Temperature: -40°C to +125°C;
 - 5.Insulator Material: PBT,G.F,UL94V-0,BK;
 - 6.Mating Terminal: WD3810-MTD4XXXXXX;



Ordering Information

WD3810 - 1 HK XX B 0 XX X

- Single Row
- Free Hanging Type
- No.of Pins:
 - 03=3PIN
 - 05=5PIN
 - 08=8PIN
 - 10=10PIN
- Housing Color:
 - B=Black
- Packing:
 - 0=PE Bag
- Keying Type:
 - 01=X;
 - 02=Y;
- W="Wcon" logo
- Blank=Without logo



Pos.	Part Number	KEYING	KEY LOCATION (SCALE 1:2)	A	B	C	D	G	H
3	WD3810-1HK03B001X	X		40.0	21.62	14.62	7.62	8.4	2.0
	WD3810-1HK03B002X	Y		40.0	21.62	14.62	7.62	8.4	2.0
5	WD3810-1HK05B001X	X		47.0	29.24	22.24	15.24	18.4	4.0
8	WD3810-1HK08B001X	X		59.0	40.67	33.67	26.67	18.4	4.0
10	WD3810-1HK10B001X	X		67.0	48.29	41.29	34.29	18.4	4.0
	WD3810-1HK10B002X	Y		67.0	48.29	41.29	34.29	18.4	4.0

REV	DATE	MODIFICATION DESCRIPTION	CHANGE	OPERATION		DRAW	DATE	SCALE	FIT	PART NO.
				x.x	±0.30					
A1	2024.04.03	Corrected Value	Houfu Peng	x.xx	±0.25	Houfu Peng	2022.09.23	UNIT	mm	WD3810-1HKXXB0XXX
A0	2022.09.23	NEW	Houfu Peng	x.xxx	±0.2			SIZE	A4	TITLE:
				Angle	± 3'			SHEET	1/1	3.81mm Dyn. TYPE Housing
				DIM	TOL			PROJ.		(Free Hanging Type) Single Row
										Customer NO.

WCON
 Http: www.wcon.com

WCON-Dongguan WCON-Kunshan
 Tel: +86 769 85358920 Tel: +86 512 57468408
 Fax: +86 769 85358915 Fax: +86 512 57468468
 E-mail: sales@wcon.com E-mail: sales@wcon.com